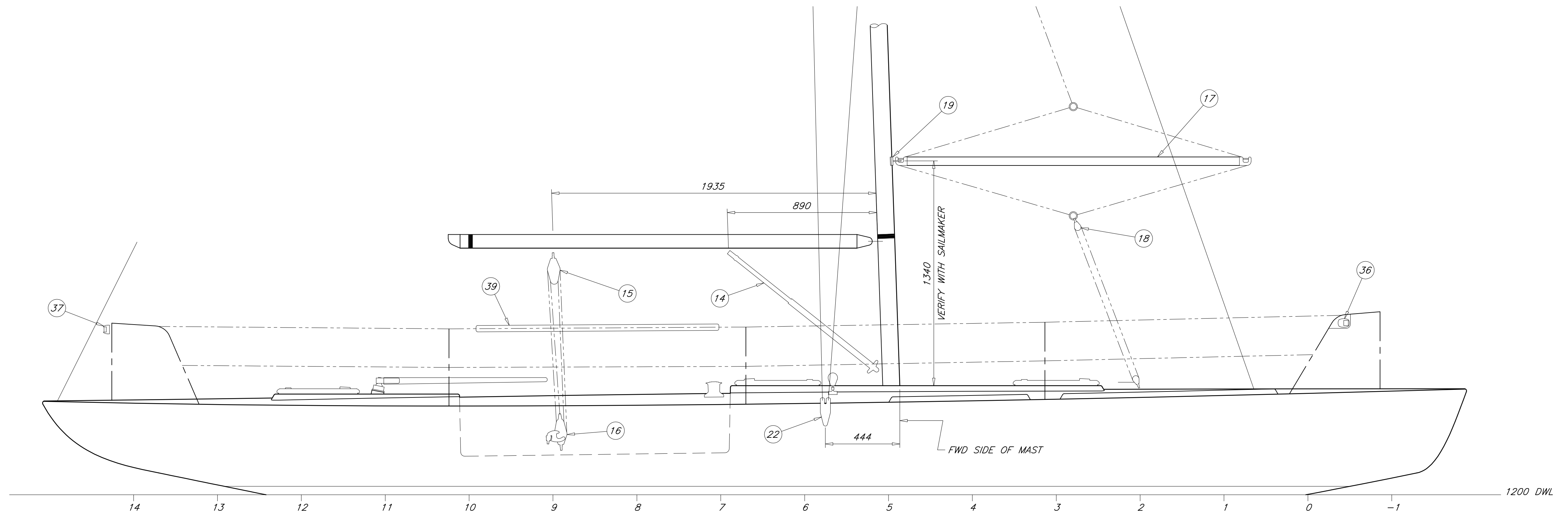


PARTS LIST

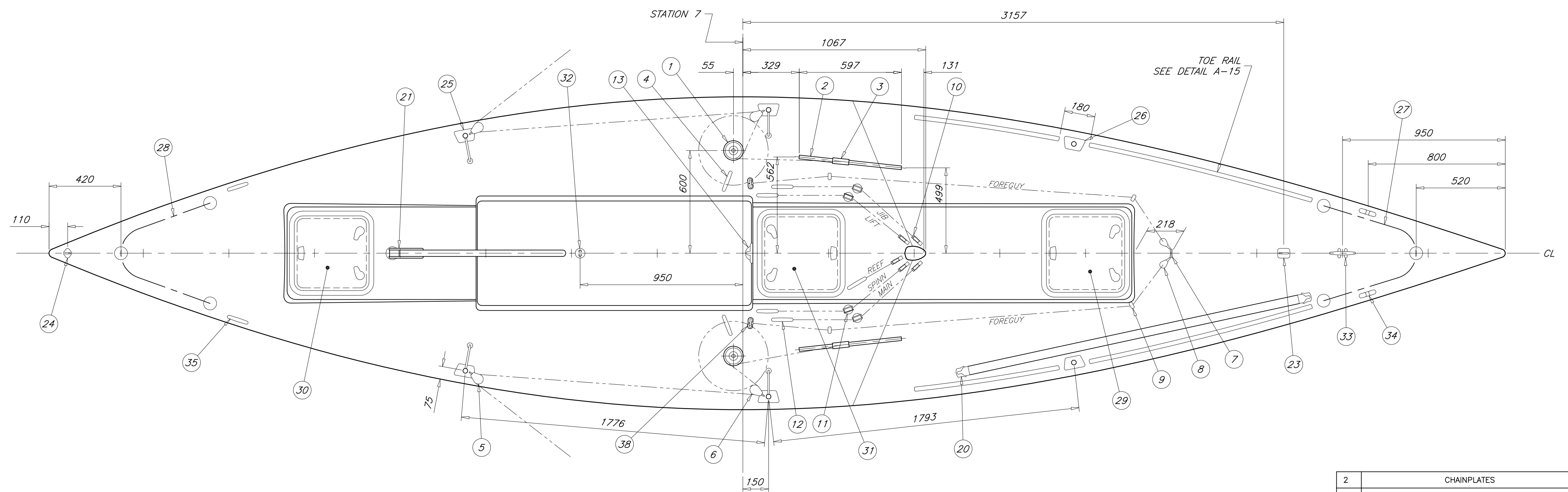
NO	QTY	DESCRIPTION	MANUFACTURER	MODEL NO	FSTNER DET
1	2	SHEET WINCHES	HARKEN	BB ALUMINUM	C-14
2	2	JIB TRACK	HARKEN	2751.600mm	C-14
3	2	JIB CAR AND BLOCK	HARKEN	393P AND 393S	C-14
4	2	SHEET CLEATS	SCHAEFER	70-79	C-14
5	2	SPINNAKER SHEET BLOCKS	HARKEN	001	C-14
6	2	SPINN SHEET TURNING BLOCKS	HARKEN	001	C-14
7	1	FOREGUY PADEYE	HARKEN	137	C-14
8	2	FOREGUY BLOCKS	HARKEN	168	C-14
9	4	FOREGUY BULLSEYE	HARKEN	237	C-14
10	5	MAST BASE BLOCKS	HARKEN	1986	C-12
11	4	STAND UP BLOCKS	HARKEN	001 w/010 BASE	C-14
12	5	CONTROL LINE CLEATS	SCHAEFER	70-79	C-14
13	1	COMPASS	PLASTIMO	MINI-CONTEST 2	C-14
14	1	BOOM VANG	VANGMASTER	VM-2	C-14
15	1	UPPER MAINSHEET BLOCK	HARKEN	028	--
16	1	LOWER MAINSHEET BLOCK	HARKEN	038	--
17	1	SPINNAKER POLE KIT	FORESPAR	UXP-200-UXP	C-14
18	1	UPPER FOREGUY BLOCK	HARKEN	168	C-14
19	1	SPINN POLE MAST PADEYE	US SPARS	1452 SEE NOTE 5	C-14
20	2	SPINN POLE DECK CHOCKS	FORESPAR	DC-2	C-14
21	1	TILLER FITTING	LEWMAR	TILLER HEAD 25 mm	--
22	2	SHROUD CHAINPLATES	CUSTOM	SEE REFERENCE 2	A-13
23	1	FORESTAY CHAINPLATE	CUSTOM	SEE REFERENCE 2	C-14
24	1	BACKSTAY CHAINPLATE	CUSTOM	SEE REFERENCE 2	C-10
25	4	LIFELINE STANCHIONS	SIGNET MARINE	18MB (DOUBLE LIFELINES)	C-14
26	2	FWD LIFELINE STANCHIONS	SIGNET MARINE	18SB (DOUBLE LIFELINES)	C-14
27	1	BOW PULPIT	CUSTOM	SEE REFERENCE 1	C-10
28	1	STERN PULPIT	CUSTOM	SEE REFERENCE 1	C-10
29	1	FOREDECK HATCH	LEWMAR	MEDIUM PROFILE 44	C-12
30	1	AFT DECK HATCH	LEWMAR	MEDIUM PROFILE 40	C-12
31	1	COMPANIONWAY HATCH	LEWMAR	MEDIUM PROFILE 44	C-12
32	1	MAINSHEET PADEYE	HARKEN	627	C-14
33	1	BOW CLEAT	SCHAEFER	70-06	C-14
34	2	BOW CHOCKS	SCHAEFER	60-40	C-10
35	2	STERN CLEATS	SCHAEFER	70-95	C-14
36	2	SIDE LIGHTS	AQUA SIGNAL	32202 / 32302	--
37	1	STERN LIGHT	AQUA SIGNAL	32502	--
38	2	FOREGUY CAM CLEAT	HARKEN	150 w/137 EYESTRAP	C-14
39	2	LIFELINE CUSHIONS	WEST MARINE	351877	C-14

REVISIONS

ZONE	REV	DESCRIPTION	DATE	APPROVED
ALL	-	ORIGINAL ISSUE	06 FEB 10	P. KOTZEBUE
ALL	A	GENERAL DESIGN UPDATE	05 SEP 10	P. KOTZEBUE



ELEVATION C-4
OUTBOARD PROFILE



PLAN A-4
DECK PLAN

GENERAL NOTES

- EQUIVALENT SUBSTITUTIONS FROM DIFFERENT MANUFACTURERS MAY BE MADE FOR ANY ITEM IN PARTS LIST.
- STAINLESS STEEL BACKING PLATES AND WASHERS TO BE USED FOR ALL THRU-BOLTED DECK HARDWARE.
- FASTENERS TO BE TYPE 316 SST, EXCEPT FOR CHAINPLATE FASTENERS WHICH MUST BE SILICON BRONZE. SEE ALSO REFERENCE 2.
- USE 3M 4200 OR EQUAL BEDDING COMPOUND FOR DECK HARDWARE. DO NOT USE 3M 5200 OR SIMILAR ADHESIVE.
- VERIFY SPINNAKER POLE MAST PADEYE WITH SPAR MANUFACTURER.



THIS DRAWING REMAINS THE PROPERTY OF PAUL R. KOTZEBUE, PE AND MAY NOT BE USED FOR ANY PURPOSE WITHOUT WRITTEN CONSENT.

NO	TITLE	DWG NO
2	CHAINPLATES	06-D2
1	BOW AND STERN PULPITS	06-D3

REFERENCES

STOCK PLANS

8.50 METER SKERRY CRUISER
DECK PLAN

PAUL R. KOTZEBUE, PE
MECHANICAL ENGINEER
Encinitas, California USA

DRAFTER	DATE	SCALE	SIZE	DWG NO.	REV.
PK	06 FEB 10	1 : 15	ARCH D	06-B2	A
CHECKER	06 FEB 10				